

Welcome to the world of



www.ayusratna.com



www.ayusratna.com

AMAZING
PRODUCTS

AMAZING
OPPORTUNITY



ABOUT MANAGING DIRECTOR



Ayusratna Natural Herbal Pvt. Ltd. was launched by Mr. Ved Prakash Mishra with more than 10 years direct selling experience. We are speedily growing direct selling company and consist of vast experienced management team with solid end to end cooperation and excellent services. We offered world class best natural & herbal products which is manufactured by ayurvedic herbs as well as plant extract.

www.ayusratna.com



LEGAL DOCUMENTS



GOVERNMENT OF INDIA
MINISTRY OF CORPORATE AFFAIRS
Central Registration Centre

Certificate of Incorporation

[Pursuant to sub-section (2) of section 7 of the Companies Act, 2013 (18 of 2013) and rule 18 of the Companies (Incorporation) Rules, 2014]

I hereby certify that AYUSRATNA NATURAL HERBAL PRIVATE LIMITED is incorporated on this Sixth day of March Two thousand nineteen under the Companies Act, 2013 (18 of 2013) and that the company is limited by shares.

The Corporate Identity Number of the company is U74999UP2019PTC114415.

The Permanent Account Number (PAN) of the company is AASCA0173D

The Tax Deduction and Collection Account Number (TAN) of the company is ALDA04888C

Given under my hand at Manesar this Sixth day of March Two thousand nineteen .



Digital Signature Certificate
ALOK TANDON
Deputy Registrar Of Companies
For and on behalf of the Jurisdictional Registrar of Companies
Registrar of Companies
Central Registration Centre

Disclaimer: This certificate only evidences incorporation of the company on the basis of documents and declarations of the applicant(s). This certificate is neither a license nor permission to conduct business or solicit deposits or funds from public. Permission of sector regulator is necessary wherever required. Registration status and other details of the company can be verified on www.mca.gov.in

Mailing Address as per record available in Registrar of Companies office:

AYUSRATNA NATURAL HERBAL PRIVATE LIMITED
100, SARAITAKI, NEAR SALIGRAM INTER COLL., JHUNSI,
ALLAHBAD, Allahabad, Uttar Pradesh, India, 211019



* as issued by the Income Tax Department



Government of India
Form GST REG-06
[See Rule 10(1)]

Registration Certificate

Registration Number : 09AASC0173D1ZQ

1. Legal Name	AYUSRATNA NATURAL HERBAL PRIVATE LIMITED		
2. Trade Name, if any	AYUSRATNA NATURAL HERBAL PRIVATE LIMITED		
3. Constitution of Business	Private Limited Company		
4. Address of Principal Place of Business	100, SARAITAKI, NEAR SALIGRAM INTER COLL., JHUNSI, ALLAHBAD, Allahabad, Uttar Pradesh, 211019		
5. Date of Liability			
6. Period of Validity	From	14/03/2019	To NA
7. Type of Registration	Regular		
8. Particulars of Approving Authority			
Signature	Signature Not Verified Digitally signed by DE GOODS AND SERVICES TAX NETWORK(S) Date: 2019.03.14 06:44:32:107		
Name			
Designation			
Jurisdictional Office			
9. Date of issue of Certificate	14/03/2019		
Note: The registration certificate is required to be prominently displayed at all places of business in the State.			

This is a system generated digitally signed Registration Certificate issued based on the deemed approval of application on 14/03/2019 .

www.ayusratna.com



VISION & MISSION

Vision: *To make people healthy, wealthy & wise.*

Mission: *To establish Ayurveda globally through direct selling.*

www.ayusratna.com



We are working on....

- Women Empowerment
- Youth Empowerment
- Consumer Empowerment
- & Many More.....



Why Ayusratna ?

- **Reliable Quality Products** (That you sell to consumers)
- **Best Compensation Plan** (Team work)
- **High Income Potential** (Earn Income based on your hard work)
- **Flexibility** (Choose when you want to work)



Why Ayusratna ?

- Legacy Business (You can transfer this business to your children*)
- Personal Development (Develop Yourself as you develop others)
- Reward & Recognition (Your success will recognize)
- Educational Program (Training support)

Step to success

- Use the products
- Sell the products
- Build a sales team
- Develop to be a successful leader
- Coach new leaders



Products Overview

(Healthcare Products)

- Ayusratna Panch Tulsi Ark
- Ayusratna Fennel Ark
- Ayusratna Calcium with Vitamin D3
- Ayusratna Green Tea
- Ayusratna Red Aloe Vera Juice



MRP: 204/-

Ayusratna Panch Tulsi Ark a beneficial effect on mind as well as body and give relaxation to mind and body. It helps to protect more than 200 diseases.

Key Benefits:

- It protect against fever like Dengue, Malaria, Swine Flu, etc.
- It removes impurities of blood and increases the Immunity system.
- It is popular for the world best Anti-oxidant, Anti-bacterial.
- It is also popular for as a Anti-viral, Anti-ageing, Anti-flue.
- It provides good result on respiratory disorders, stress and asthma.
- It has super natural health curing properties.
- It helpful in all types of Allergies.

Direction of Use:

Take 5-10 drops twice daily with half glass of lukewarm water before meal





MRP: 318/-

Key Benefits:

- Its antimicrobial properties fight the germs that cause bad breath, highly beneficial for Indigestion, bloating, flatulence, constipation, colic, Intestinal gas, heartburn, and even irritable bowel.
- Its use as regular basis helps flush out excess fluids from the body & remove toxins and reduces the risk of urinary track problems.
- Its reduces Obesity as well as help to decrease the risk of developing colon cancer because it helps remove carcinogenic toxins from the colon. It works as a general brain booster also.
- Its helpful in woman's regular menstrual cycle, & also reduce eye pressure and promote the dilation of blood vessels.
- Its help to relieve respiratory track infections associated with coughs, colds, the flu, and sinus congestion & also reduce the risk of having a heart attack or stroke.

Direction of Use: Take 5-10 drops twice daily empty stomach





MRP: 270/-

Key Benefits:

- Understand Calcium and Osteoporosis
- Builds strong bones & teeth
- Supports Neuromuscular & Immune health
- Adequate Calcium and Vitamin D3 throughout life as part of a well balanced diet, may reduce the risk of osteoporosis.
- Vitamin D3 improves Calcium absorption

Caution:

Pregnant or lactating women, diabetics, hypoglycemics, and people with known medical conditions and/or taking drugs should consult with a licensed physician and/or pharmacist prior to taking dietary supplements.

Direction of Use:

Take 1 tablet daily or as directed by health expert





AYUSRATNA GREEN TEA TAB (60 TAB)

MRP: 660/-

Key Benefits:

- It helps in fight against Aging problems.
- It helps to maintain cardiovascular health.
- It helps to maintain Weight Loss
- It helps to Boost your Immunity

Direction of Use:

One tablet in one cup of 50 ml. hot water OR directed by the Dieticians



www.ayusratna.com



AYUSRATNA RED ALOE VERA JUICE (1 LITER)

MRP: 900/-

Ayusratna Red Aloe Vera juice is an wonderful gift by nature to us. It is 22 times more powerful and effective than common Aloe Vera. It contains essential Amino acids, Vitamins, Minerals & strong Anti-oxidants like Anthraquinone.

Key Benefits:

- It helps in digestion, constipation.
- It Helps to flush out toxins from the body.
- It alkalizes the body by neutralizing the acids.
- It helps to maintain cardiovascular health.
- It helps to boost up our body immune system.
- It is very effective for skin problems.
- It reduces any kind of inflammations.
- It helps to loose weight.
- It protects our heart, liver & kidney function.

Direction of Use:
Take 10 ml twice daily with half glass of lukewarm water before meal



www.ayusratna.com

Amazing Business Opportunity

4 Types of Income

1. Retail Profit
2. Performance Bonus
3. Team Building Bonus
4. Leadership Bonus

Registration Free

After registration you will get Id & Password

For Id activation you must purchase 500 BV products

(1BV= 2 Rs.)*





1. Retail Profit

10% - 20%

MRP – DP = Retail Profit

Example-

900(MRP) – 750(DP) = 150 (Retail Profit)



2. Performance Bonus

Example:

You- Self (10% of BV)

Level 1- $10 \times 1000 \text{ BV} = 10000 \text{ BV} \times 9\% = 900/-$

Level 2- $10 \times 10 = 100 \times 1000 \text{ BV} = 100000 \text{ BV} \times 8\% = 8000/-$

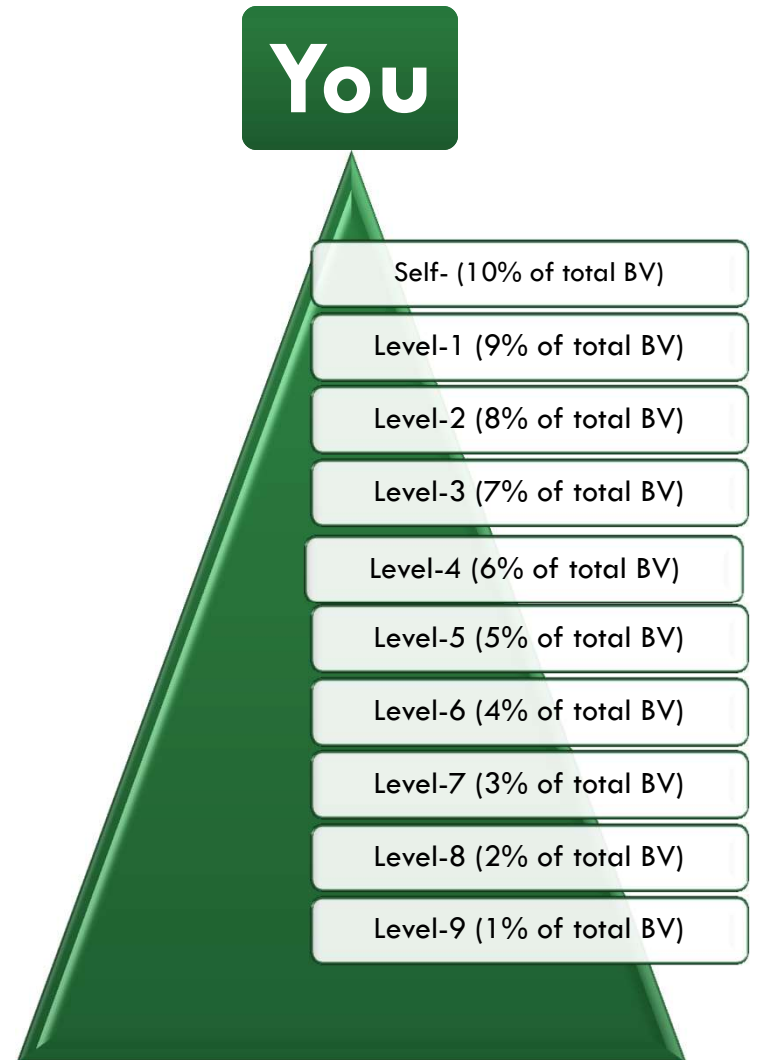
Level 3- $100 \times 10 = 1000 \times 1000 \text{ BV} = 10 \text{ LAKH} \text{ BV} \times 7\% = 70000/-$

Level 4- $1000 \times 10 = 10000 \times 1000 \text{ BV} = 01 \text{ CR} \text{ BV} \times 6\% = 6 \text{ LAKH}$

Level 5- $10000 \times 10 = 1 \text{ LAKH} \times 1000 \text{ BV} = 10 \text{ CR} \text{ BV} \times 5\% = 50 \text{ LAKH}$

As per continue up to 9th level.....

*This Income will distribute sponsor to sponsor only up to 9th level.



3. Team Building Bonus

(10% of Company Turnover)

For this income you must have to maintain 60000 BV both side.

Example Calculation:

* D Points- 600 Points, E Points- 800 Points, F Points- 700 Points, G Points- 900 Points

* Matching Points of A-1400, Matching Points of B-600, Matching Points of C-700, **Total Matching Points Collected-2700**

* T.B.B. Rate= 10% of total BV of Company/Total Matching Points collected, T.B.B. Rate= 30000 BV/2700=11.11

Income Calculation:

Team Building Bonus Income of A= Matching Points of A × Rate,

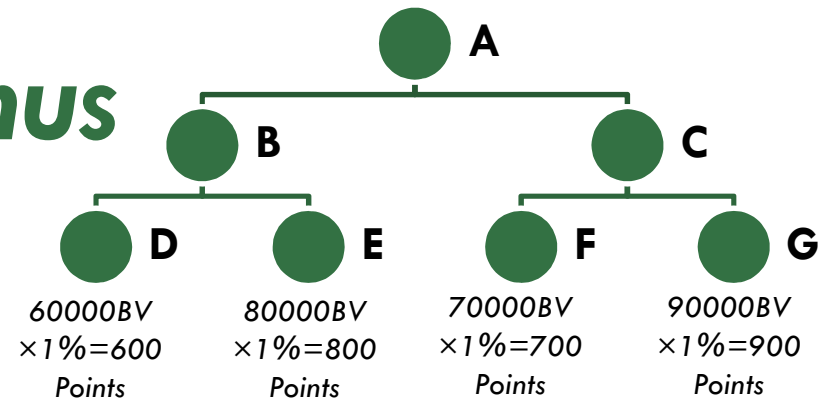
Team Building Bonus Income of B= Matching Points of A × Rate,

Team Building Bonus Income of C= Matching Points of A × Rate,

T.B.B. of A is 1400 × 11.11 = 15,554/-

T.B.B. of B is 600 × 11.11 = 6,666/-

T.B.B. of C is 700 × 11.11 = 7,777/-

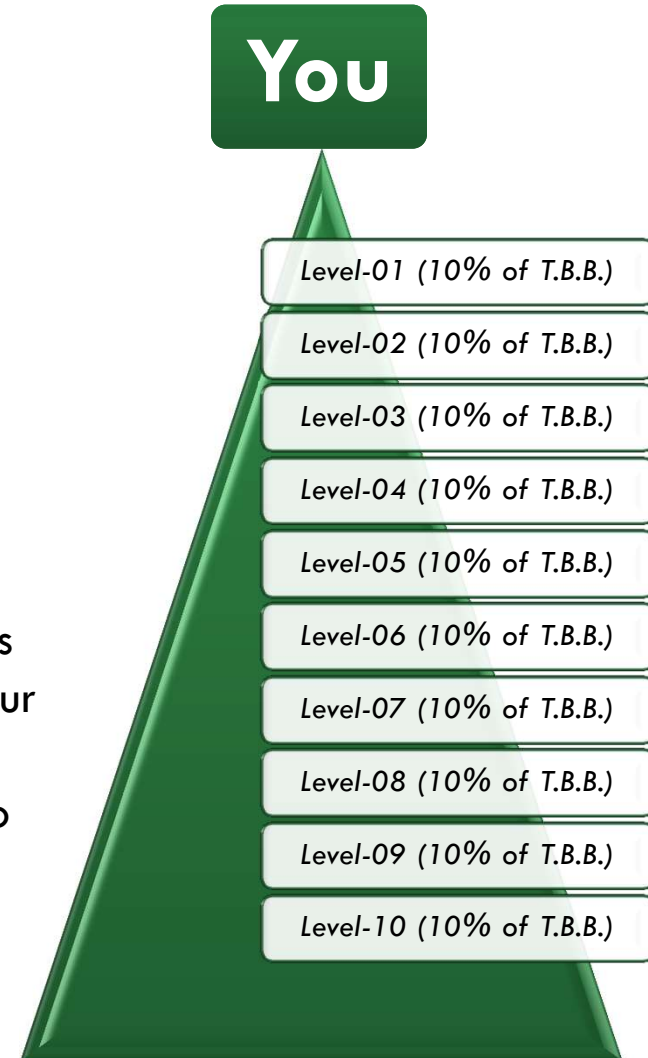




4. Leadership Bonus

(10% of Company Turnover)

- This Income is based on Team Building Bonus.
- You will get this income as 10% of Team Building Bonus Income of your each and every distributor who is in your down line till 10th level.
- This Income will distribute sponsor to sponsor only up to 10th level.





Registered Office:

100, Saraitaki, Near Saligram Inter
College, Jhansi, Allahabad-211019, (U.P.)

Website:

www.ayusratna.com

E Mail Id:

info@ayusratna.com

Contact:

+91 7666711100

Thank You

www.ayusratna.com